

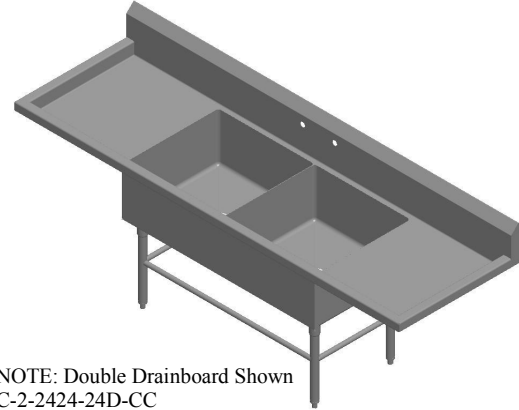
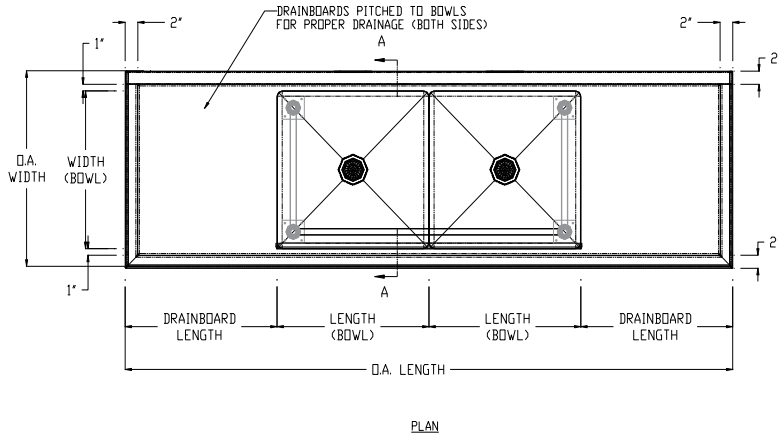


TWO COMPARTMENT SINKS W/ TWO DRAINBOARDS AND THREE SIDED CROSS BRACING

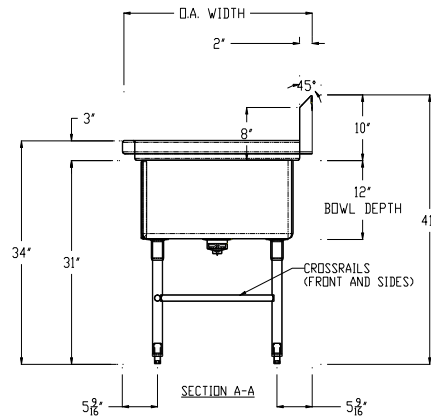
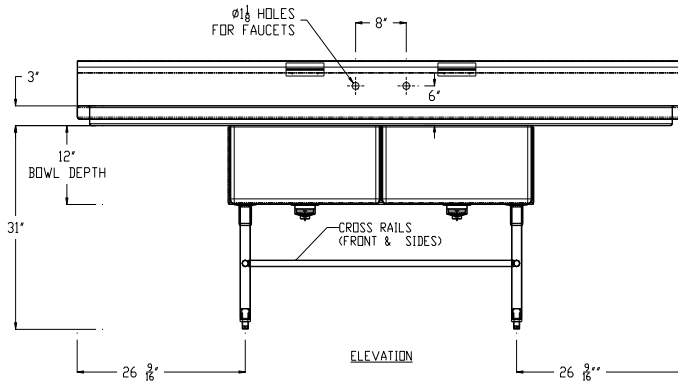
PROJECT#: _____

ITEM# _____

MODEL# _____



NOTE: Double Drainboard Shown
C-2-2424-24D-CC



TWO COMPARTMENT SINKS W/ TWO DRAINBOARDS AND THREE SIDED CROSS BRACING							
MODEL#	QTY	PRODUCT DIMENSIONS (INCHES)					
		LENGTH (BOWL)	WIDTH (BOWL)	DRAINBOARD LENGTH	O.A. LENGTH	O.A. WIDTH	OVERALL HEIGHT
C-2-1618-18D-CC		16"	18"	18"	68"	24"	41"
C-2-1618-24D-CC		16"	18"	24"	80"	24"	41"
C-2-1824-18D-CC		18"	24"	18"	72"	30"	41"
C-2-1824-24D-CC		18"	24"	24"	84"	30"	41"
C-2-2030-20D-CC		20"	30"	20"	80"	36"	41"
C-2-2424-18D-CC		24"	24"	18"	84"	30"	41"
C-2-2424-24D-CC		24"	24"	24"	96"	30"	41"
C-2-2430-24D-CC		24"	30"	24"	96"	36"	41"

SINK SPECIFICATIONS:

- TOP:** 16 GA. 300 Series Stainless Steel
- SINK BOWLS:** 16 GA. 300 Series Stainless Steel
- CROSS BRACING:** 1" Diameter Stainless Steel Welded to Legs
- LEGS:** 1 5/8" Diameter Stainless Steel Tubing

CONSTRUCTION:

- ◆ Fully welded, Seamless, Polished to #4 Finish
- ◆ Euro Edge
- ◆ S/S Adjustable Bullet Feet
- ◆ Crumb Cup Drain 1 1/2" IPS
- ◆ 8" On Center Faucet Holes
- ◆ Ships with (2) Wall Mount "Z" Clips
- ◆ Integral 10" Tall Backsplash